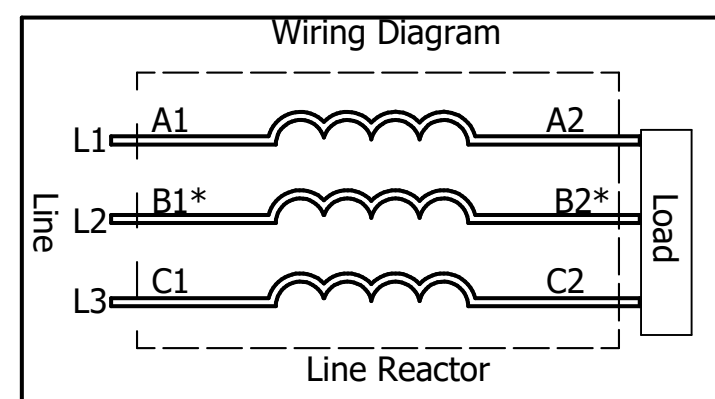
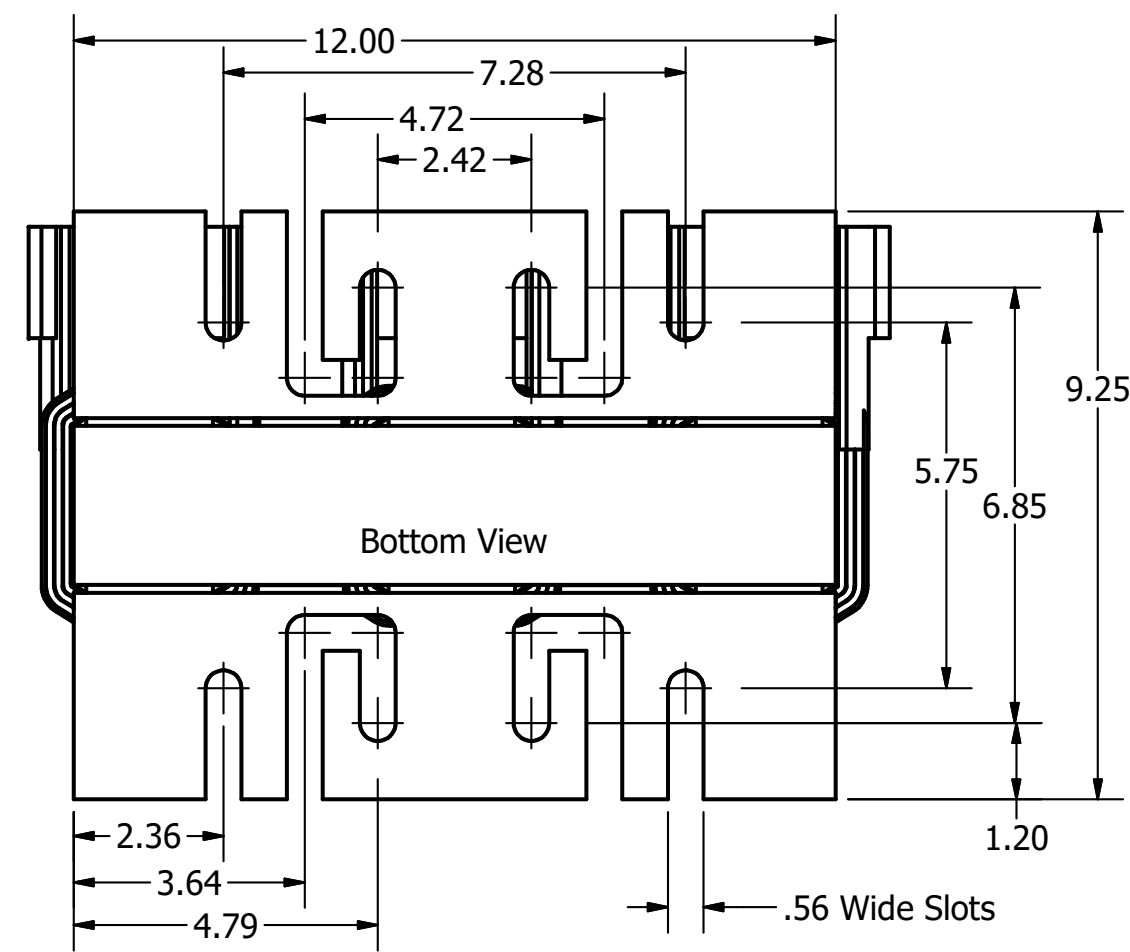
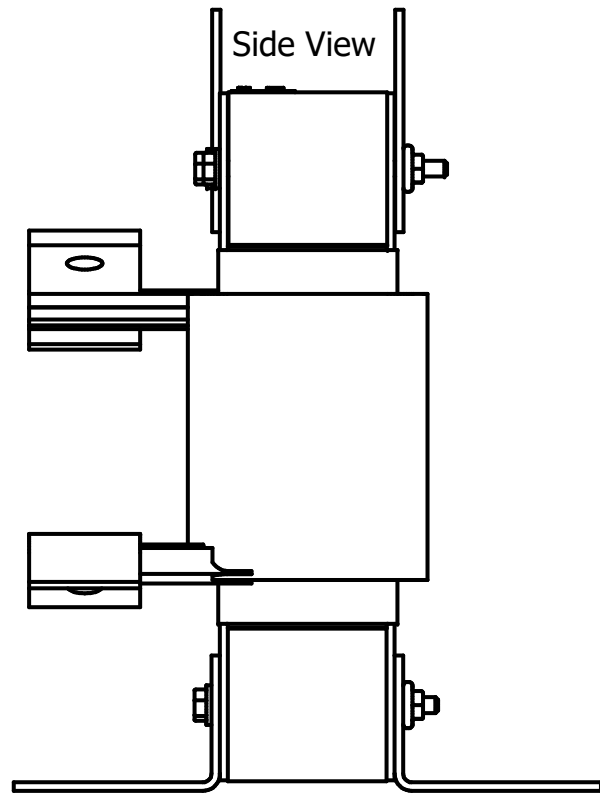


(Customer Connections) Markings On Coils For Reference Only.



* For single phase applications, use coils A and C, Isolate terminals B1 and B2.

480 Rated Voltage, 600 Max Voltage, Output								
Part Number	Horsepower (HP)	Motor Amps (A)	Maximum Amps (A)	Inductance (uH)	Weight (LBS)	Losses (W)	Available Lug Kit	Terminal Hole Size (Inches)
KDRL1P	350	414	420	26.4	85	275	SLK13	0.53
KDRL2P	400	477	480	23.1	95	267	SLK13	0.53
KDRL3P	450	515	600	19	100	338	SLK14	0.53
KDRL4P	500	590	600	18.7	100	338	SLK14	0.53

575 Rated Voltage, 600 Max Voltage, Output								
Part Number	Horsepower (HP)	Motor Amps (A)	Maximum Amps (A)	Inductance (uH)	Weight (LBS)	Losses (W)	Available Lug Kit	Terminal Hole Size (Inches)
KDRL31P	400	382	420	26.5	85	420	SLK13	0.53
KDRL35P	450	412	420	26.4	85	420	SLK13	0.53
KDRL32P	500	472	480	23.7	95	480	SLK13	0.53

480 Rated Voltage, 600 Max Voltage, High Z, Impedance.								
Part Number	Horsepower (HP)	Motor Amps (A)	Maximum Amps (A)	Inductance (uH)	Weight (LBS)	Losses (W)	Available Lug Kit	Terminal Hole Size (Inches)
KDRL1H	250	302	310	106	105	548	SLK13	0.56
KDRL2H	300	361	365	86	105	786	SLK13	0.56
KDRL3H	350	414	435	74	109	750	SLK13	0.53
KDRL4H	400	477	480	65	135	730	SLK13	0.56

480 Rated Voltage, 600 Max Voltage, Low Z, Impedance.								
Part Number	Horsepower (HP)	Motor Amps (A)	Maximum Amps (A)	Inductance (uH)	Weight (LBS)	Losses (W)	Available Lug Kit	Terminal Hole Size (Inches)
KDRL1L	450	515	610	36.3	110	509	SLK14	0.53
KDRL2L	500	590	610	31.5	110	518	SLK14	0.53

TCI (800) 824-8282 transcoil.com

TCI, LLC
Germantown, WI, USA.
transcoil.com
800-824-8282

KDRUL Drive Reactor
KDR- Motor Amps ---
3PH, 50/60Hz, ---V Rated, 600V Max, -A Max
40C Amb Max, 155C Rise, RoHS
Manual #30895 LUG KIT #SLK---

UL LISTED CE
2ND CONF. NO. 2010

DATE CODE A1 A2 B1 B2 C1 C2

- Notes:
1. KDR Lug Kits sold separately. Contact TCI.
 2. For KDRUL Version With Terminal Lugs Attached, See Sheet 6
 3. UL file number: cULus Listed File E116124.
 4. KDR Drive Reactors Comply With The Thermal and Altitude Standards Set Forth by NEMA ST20-1992.
 5. KDR IOM Manual Part Number 30895
 6. NEC Current For 208/240 Volts, Horsepower Based On 208 Volts.
 7. Material(s) Shall be RoHS Compliant
 8. Customer Is Responsible For Installation To Meet All National And Local Electrical Codes.

TCI, LLC CLAIMS PROPRIETARY RIGHTS IN THE MATERIAL HEREIN DISCLOSED. IT IS SUPPLIED WITHOUT PREDJUDICE TO ANY PATENT RIGHTS OF TCI AND MAY NOT BE REPRODUCED OR USED TO MANUFACTURE ANYTHING SHOWN THEREIN WITHOUT WRITTEN PERMISSION FROM TCI.

NO.	REVISION	DATE	BY

TOLERANCES (EXCEPT AS NOTED)
DECIMAL
XX ± .25
.XXX ± .10
FRACTIONAL
± 1/16
ANGULAR
± 1°

TCI W132 N10611 Grant Drive
Germantown, WI 53022

KDR L. Frame, Copper Bus
Reactor Drawing

DRN BY DSW DATE: 3/23/18 107537DG
SCALE: 1/3.2 APRVD: SIZE C SHT. 5 OF 10